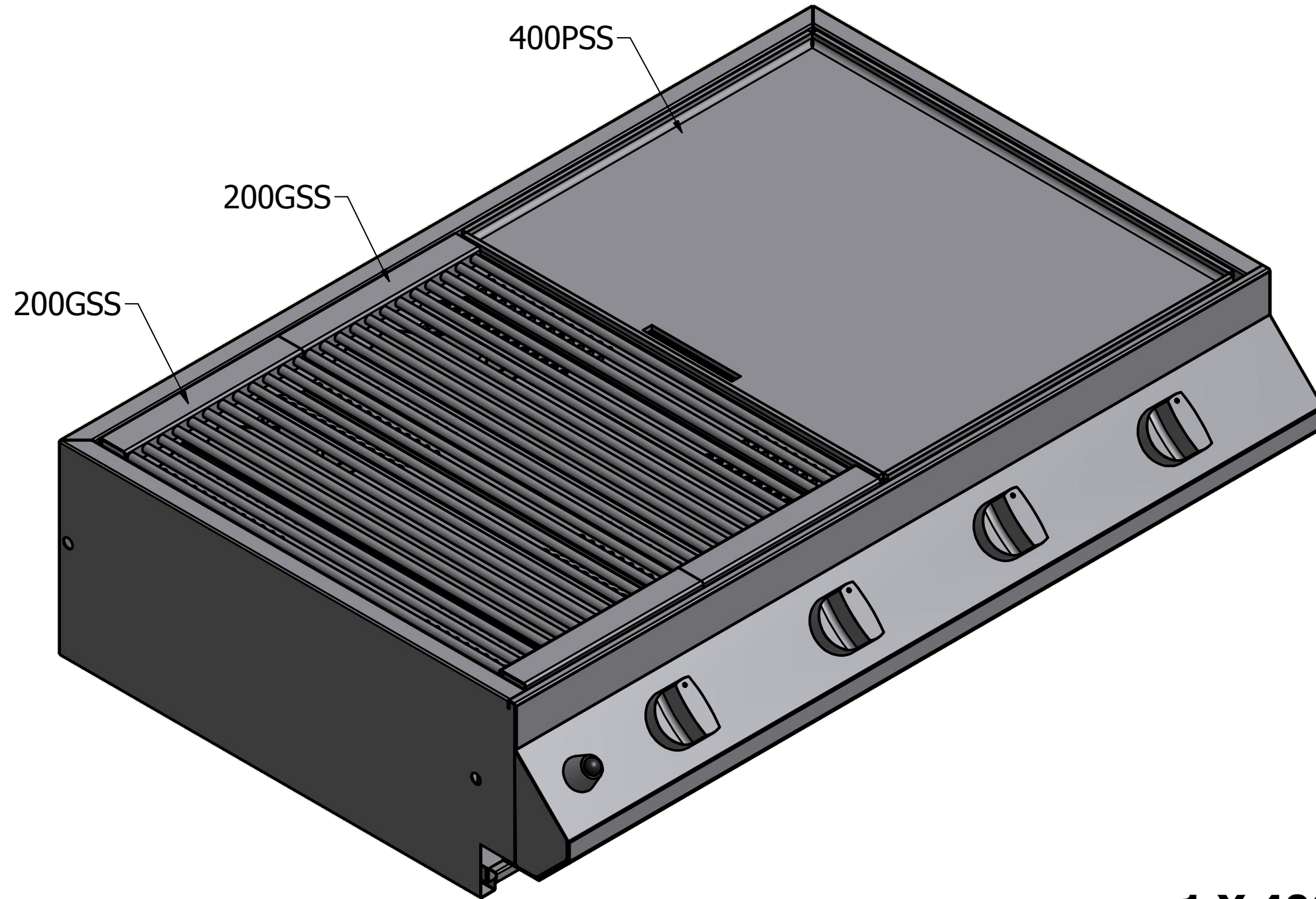


1 X 400mm PLATE
1 X 400mm GRILL

Title:	Lifestyle ARCADIAN Outdoor Kitchen Module		Approved By:
Customer:	4-Burner Barbeque Plate & Grill Option A		Signed: _____ Date: _____
Drawn By:	Willy G.	Date:	-
Material/Gauge:	-	Surface Finish:	-
Job Ref:	-	Part No / REV:	4B Option A

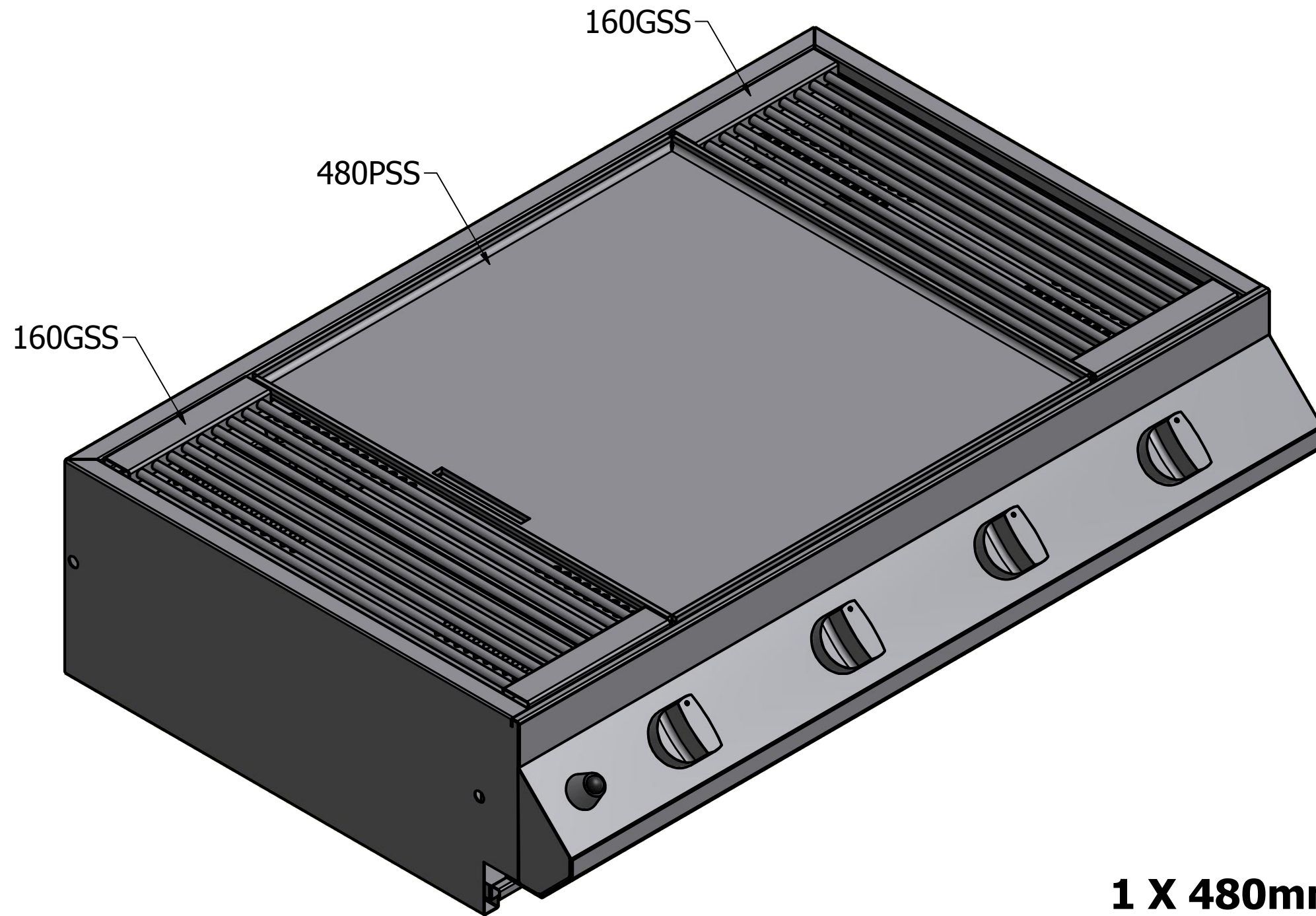





1 X 400mm PLATE
2 X 200mm GRILLS

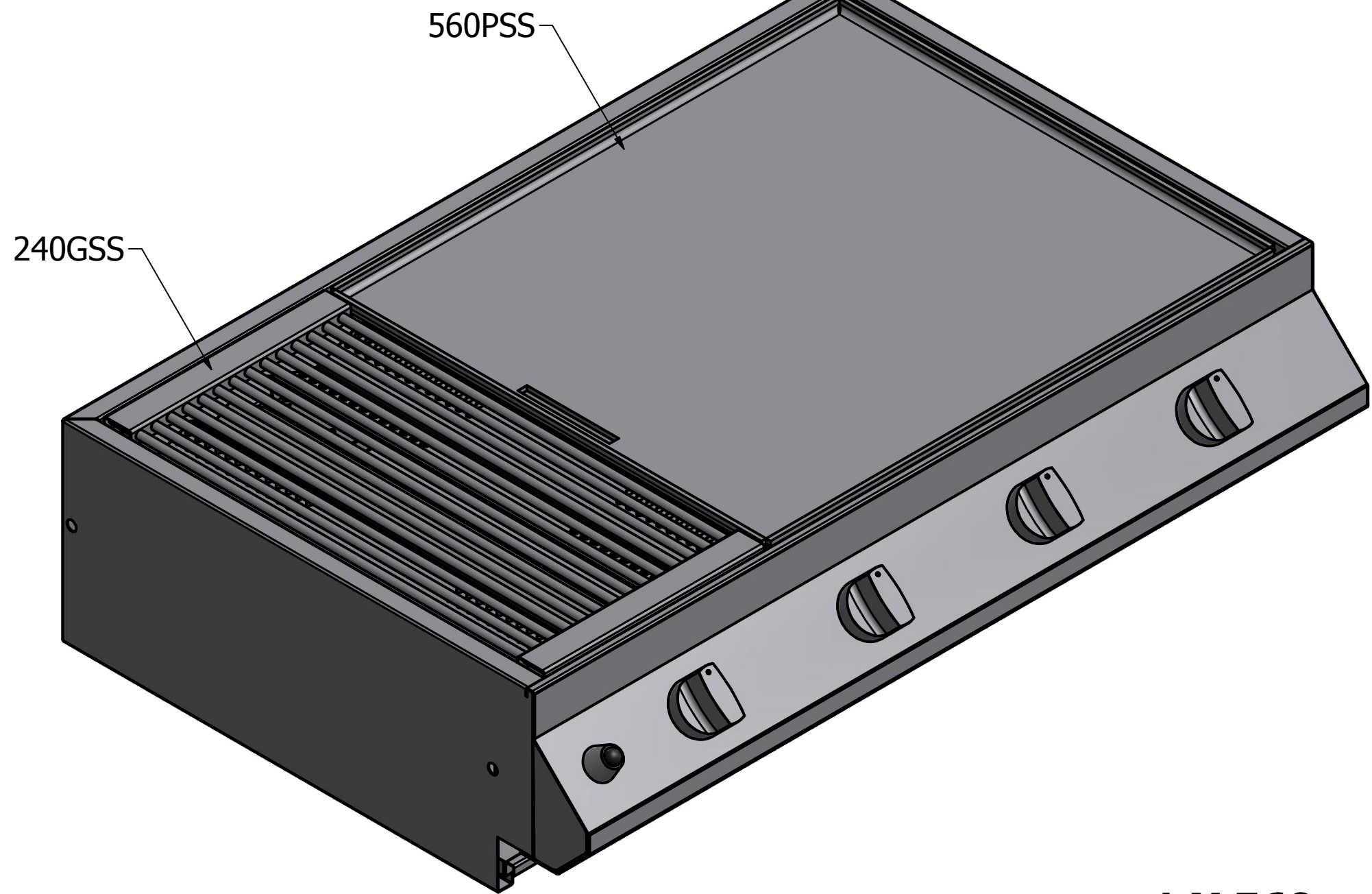
Title:	Lifestyle ARCADIAN Outdoor Kitchen Module		Approved By:
Customer:	4-Burner Barbeque Plate & Grill Option B		Signed: _____ Date: _____
Drawn By:	Willy G.	Date:	-
Material/Gauge:	-	Surface Finish:	-
Job Ref:	-	Part No / REV:	4B Option B





1 X 480mm PLATE
2 X 160mm GRILLS

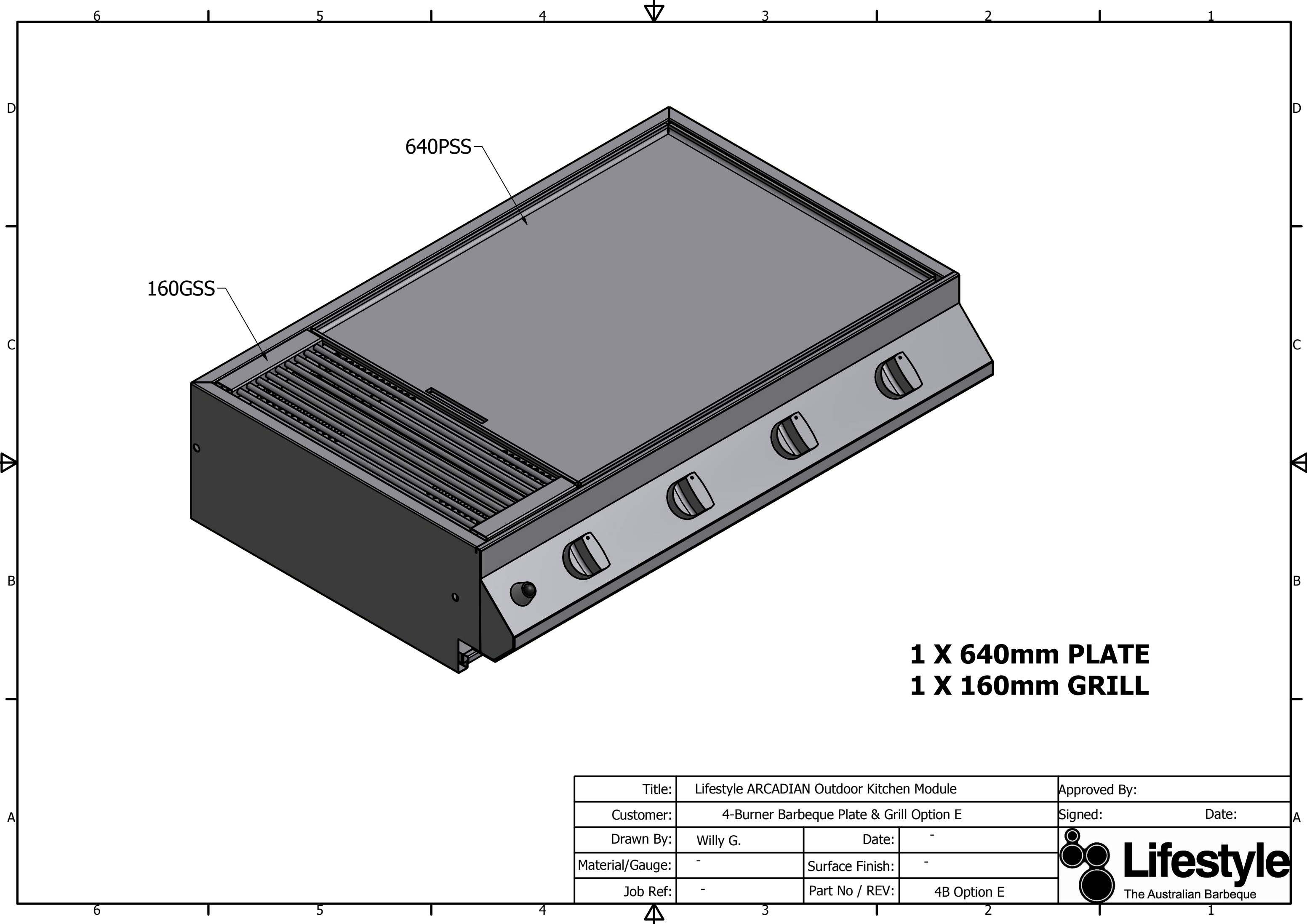
Title:	Lifestyle ARCADIAN Outdoor Kitchen Module			Approved By:
Customer:	4-Burner Barbeque Plate & Grill Option C			Signed: _____ Date: _____
Drawn By:	Willy G.	Date:	-	 Lifestyle The Australian Barbeque
Material/Gauge:	-	Surface Finish:	-	
Job Ref:	-	Part No / REV:	4B Option C	



1 X 560mm PLATE
1 X 240mm GRILL

Title:	Lifestyle ARCADIAN Outdoor Kitchen Module		Approved By:
Customer:	4-Burner Barbeque Plate & Grill Option D		Signed: _____ Date: _____
Drawn By:	Willy G.	Date:	-
Material/Gauge:	-	Surface Finish:	-
Job Ref:	-	Part No / REV:	4B Option D




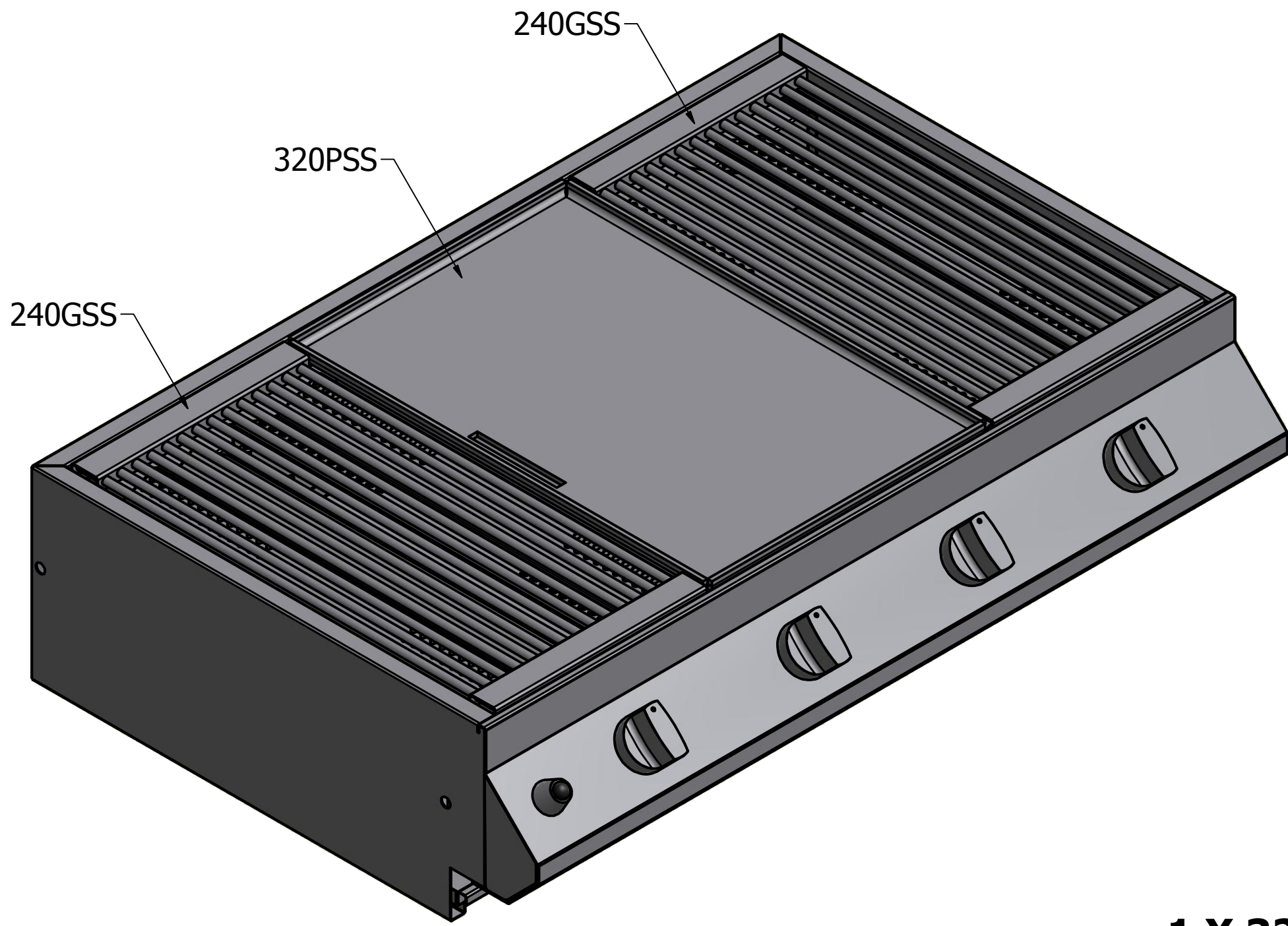


640PSS


160GSS

1 X 640mm PLATE
1 X 160mm GRILL

Title:	Lifestyle ARCADIAN Outdoor Kitchen Module			Approved By:
Customer:	4-Burner Barbeque Plate & Grill Option E			Signed: _____ Date: _____
Drawn By:	Willy G.	Date:	-	
Material/Gauge:	-	Surface Finish:	-	
Job Ref:	-	Part No / REV:	4B Option E	



1 X 320mm PLATE
2 X 240mm GRILLS

Title:	Lifestyle ARCADIAN Outdoor Kitchen Module			Approved By:
Customer:	4-Burner Barbeque Plate & Grill Option F			Signed: _____ Date: _____
Drawn By:	Willy G.	Date:	-	 Lifestyle The Australian Barbeque
Material/Gauge:	-	Surface Finish:	-	
Job Ref:	-	Part No / REV:	4B Option F	