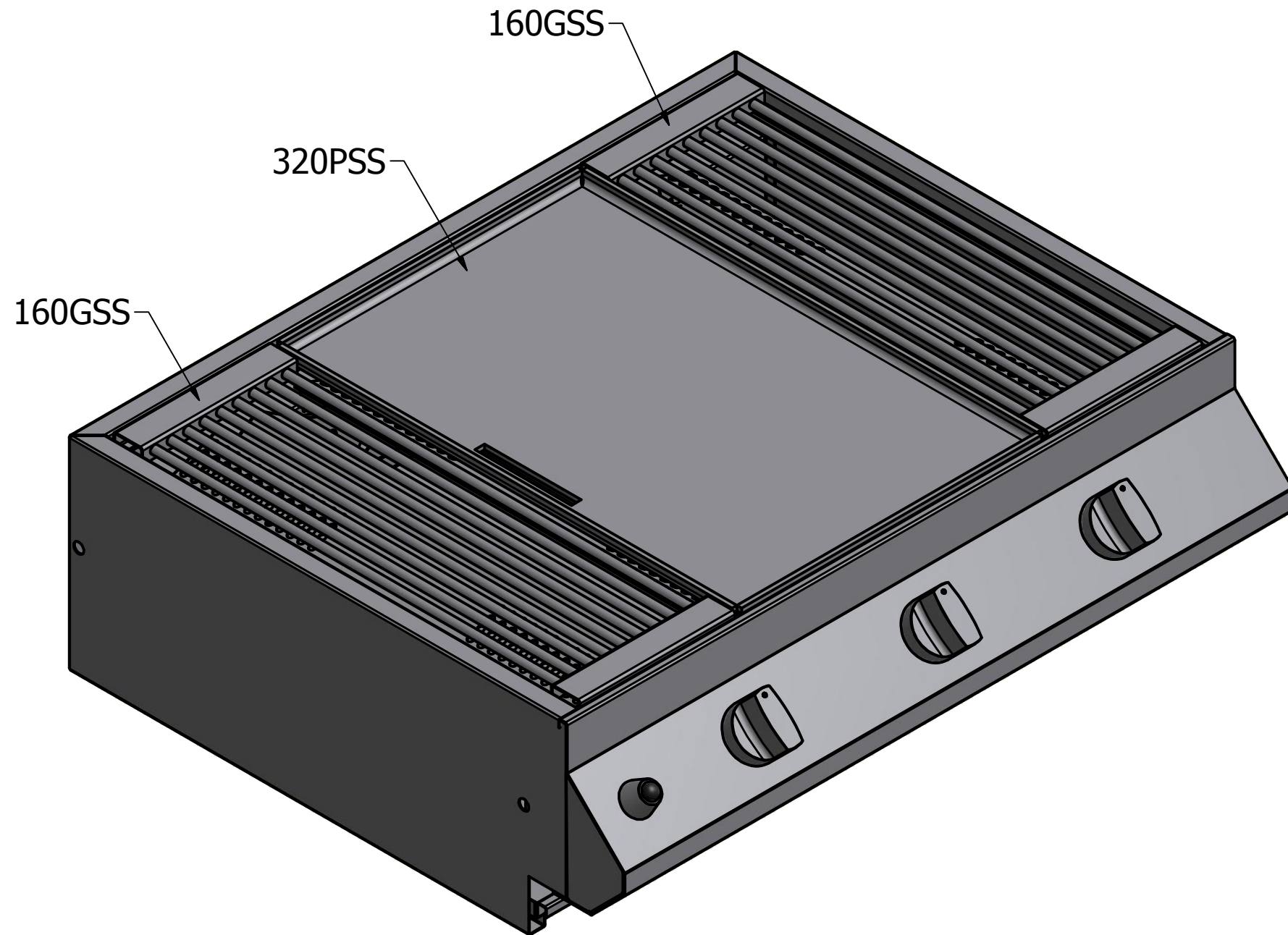


1 X 320mm PLATE
1 X 320mm GRILL

Title:	Lifestyle ARCADIAN Outdoor Kitchen Module		Approved By:
Customer:	3-Burner Barbeque Plate & Grill Option A		Signed: _____ Date: _____
Drawn By:	Willy G.	Date:	-
Material/Gauge:	-	Surface Finish:	-
Job Ref:	-	Part No / REV:	3B Option A

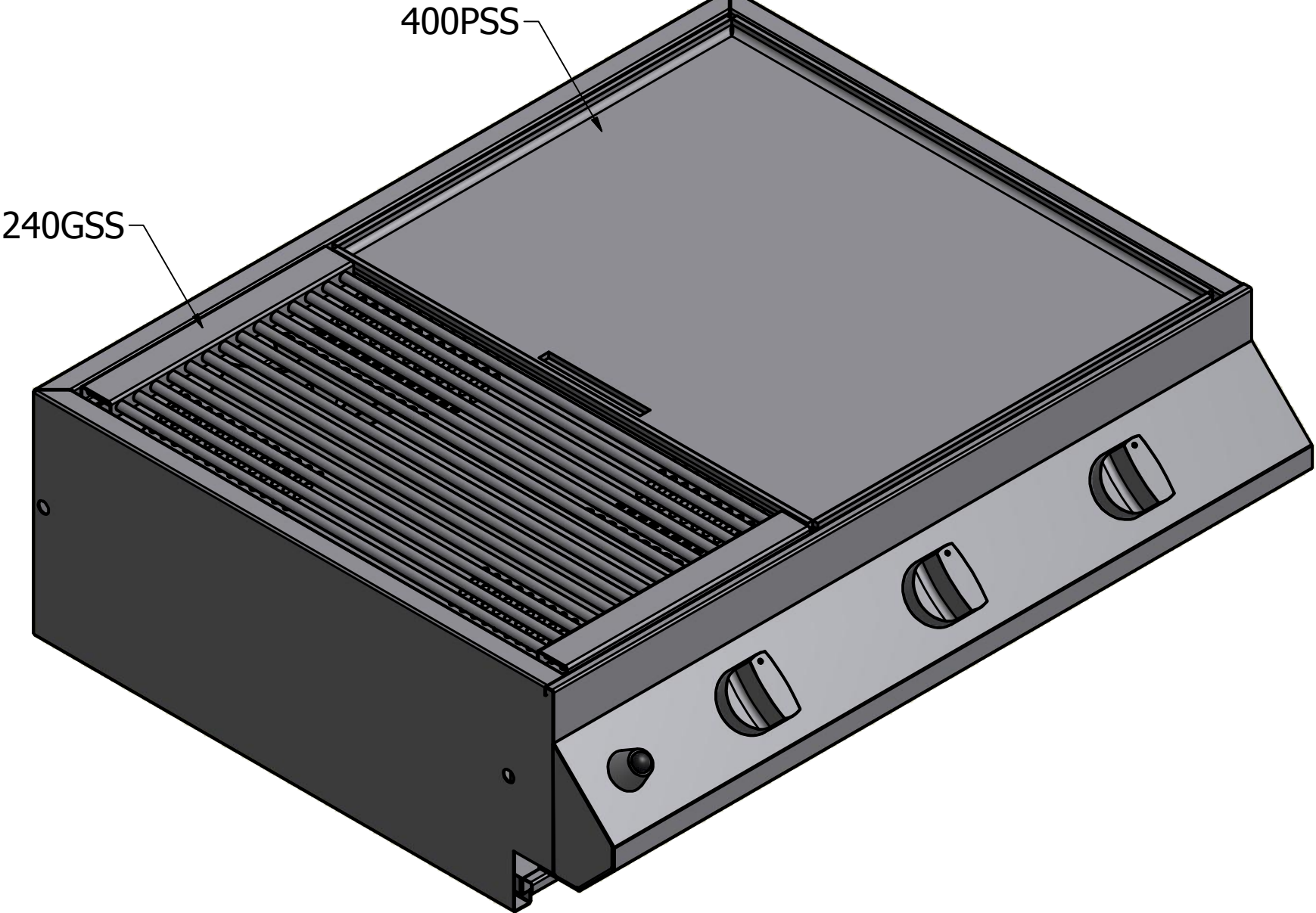
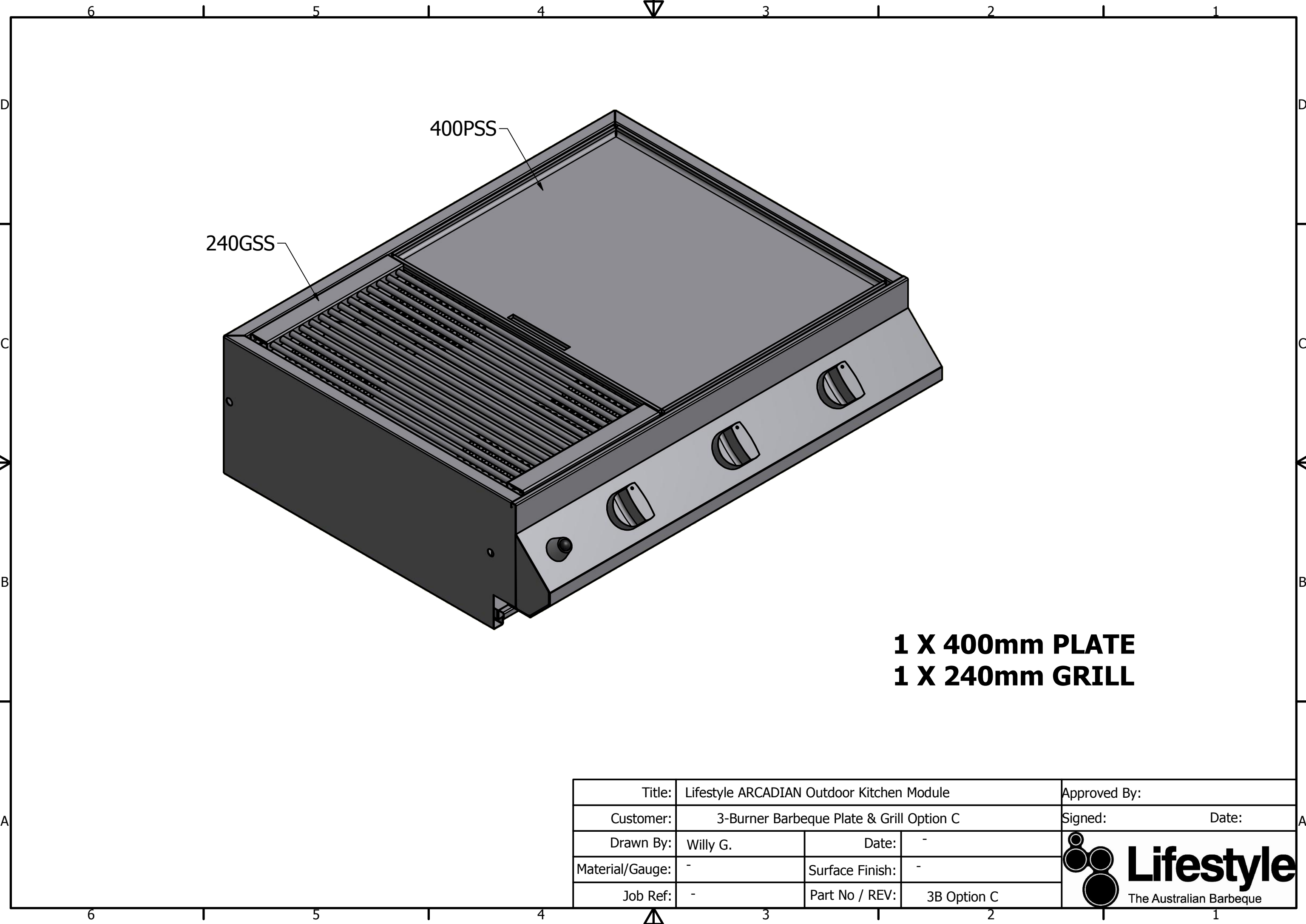




1 X 320mm PLATE
2 X 160mm GRILLS

Title:	Lifestyle ARCADIAN Outdoor Kitchen Module		Approved By:
Customer:	3-Burner Barbeque Plate & Grill Option B		Signed: _____ Date: _____
Drawn By:	Willy G.	Date:	-
Material/Gauge:	-	Surface Finish:	-
Job Ref:	-	Part No / REV:	3B Option B

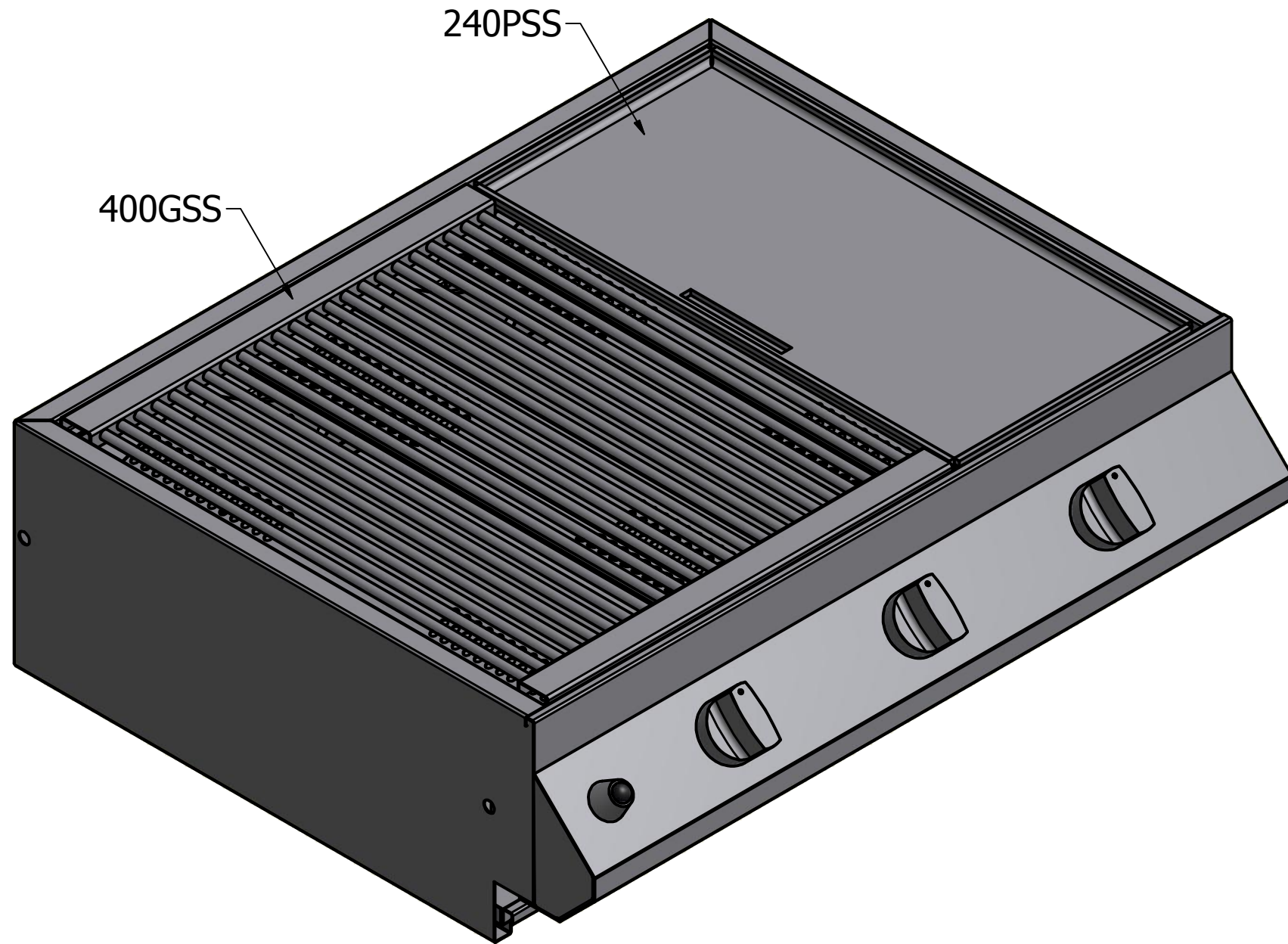





1 X 400mm PLATE
1 X 240mm GRILL

Title:	Lifestyle ARCADIAN Outdoor Kitchen Module		Approved By:
Customer:	3-Burner Barbeque Plate & Grill Option C		Signed: _____ Date: _____
Drawn By:	Willy G.	Date:	-
Material/Gauge:	-	Surface Finish:	-
Job Ref:	-	Part No / REV:	3B Option C





1 X 240mm PLATE
1 X 400mm GRILL

Title:	Lifestyle ARCADIAN Outdoor Kitchen Module			Approved By:
Customer:	3-Burner Barbeque Plate & Grill Option D			Signed: _____ Date: _____
Drawn By:	Willy G.	Date:	-	
Material/Gauge:	-	Surface Finish:	-	
Job Ref:	-	Part No / REV:	3B Option D	