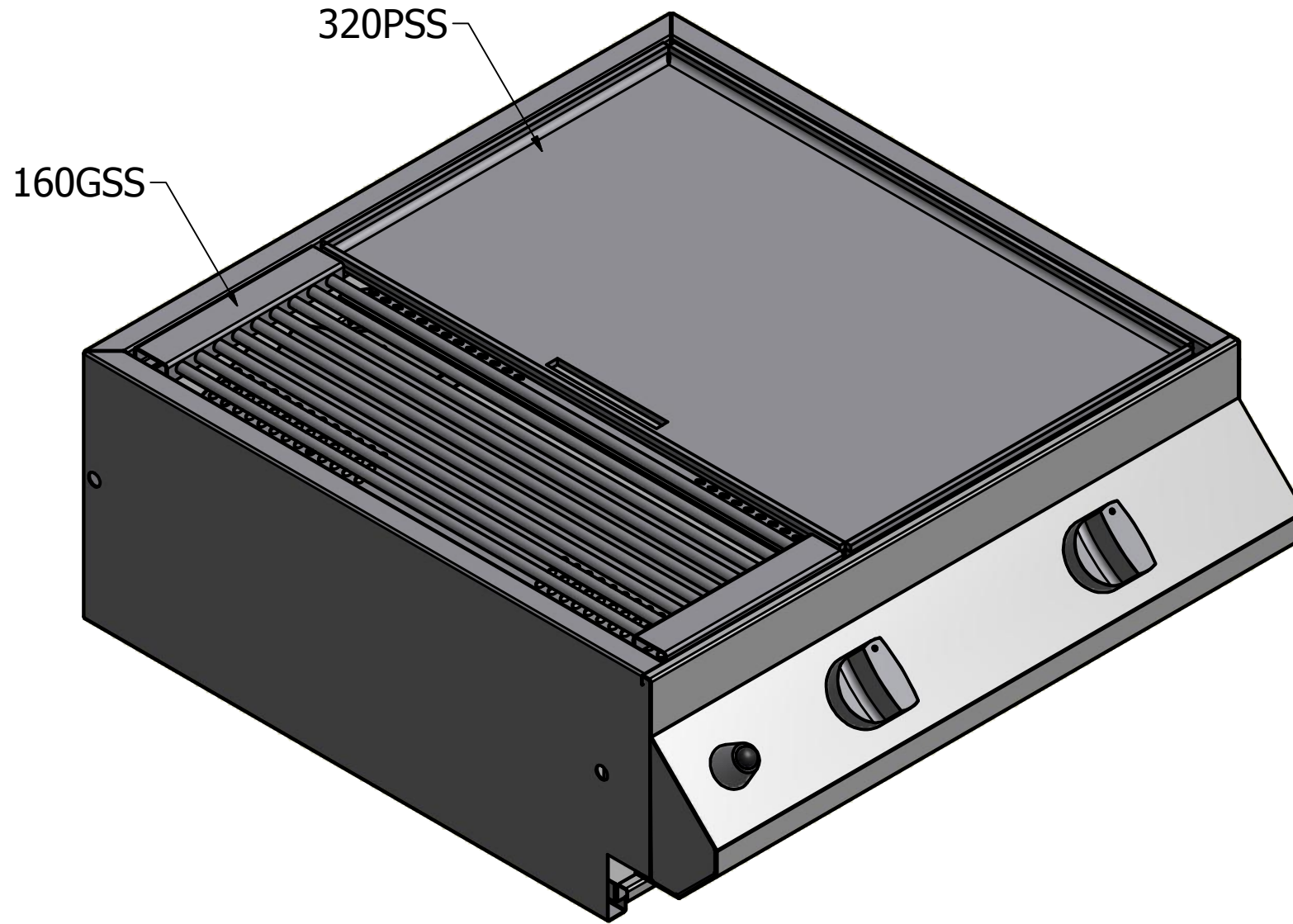


**1 X 240mm PLATE**  
**1 X 240mm GRILL**

Title:	Lifestyle ARCADIAN Outdoor Kitchen Module		Approved By:
Customer:	2-Burner Barbeque Plate & Grill Option A		Signed: _____ Date: _____
Drawn By:	Willy G.	Date:	-
Material/Gauge:	-	Surface Finish:	-
Job Ref:	-	Part No / REV:	2B Option A

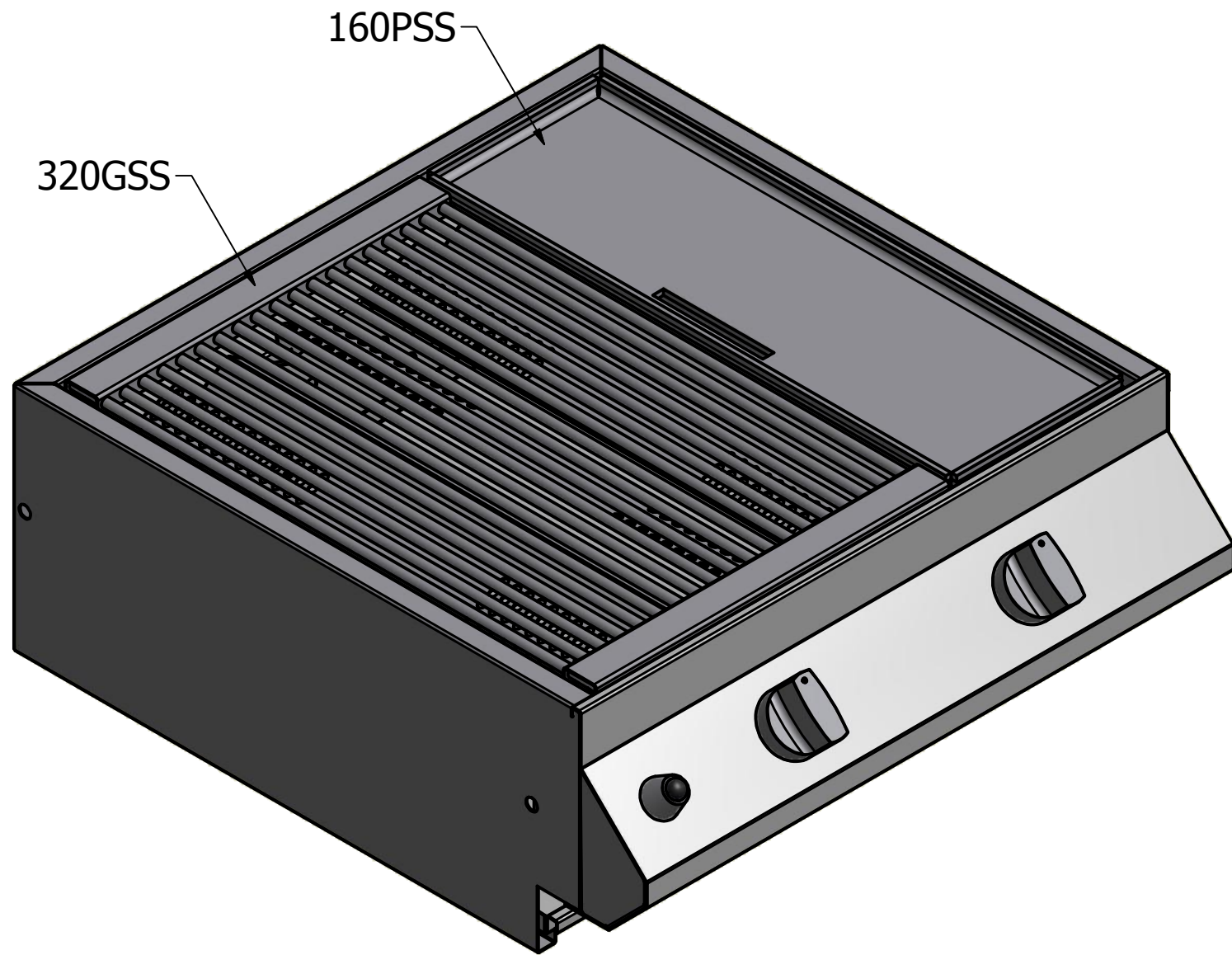




**1 X 320mm PLATE**  
**1 X 160mm GRILL**

Title:	Lifestyle ARCADIAN Outdoor Kitchen Module		Approved By:
Customer:	2-Burner Barbeque Plate & Grill Option B		Signed: _____ Date: _____
Drawn By:	Willy G.	Date:	-
Material/Gauge:	-	Surface Finish:	-
Job Ref:	-	Part No / REV:	2B Option B





**1 X 160mm PLATE**  
**1 X 320mm GRILL**

Title:	Lifestyle ARCADIAN Outdoor Kitchen Module		Approved By:
Customer:	2-Burner Barbeque Plate & Grill Option C		Signed: _____ Date: _____
Drawn By:	Willy G.	Date:	-
Material/Gauge:	-	Surface Finish:	-
Job Ref:	-	Part No / REV:	2B Option C

