

The Seaview Range

Why Choose A Lifestyle Seaview Barbeque?



Four Sizes To Suit All Requirements



Seaview 2 burner without side burner



Seaview 3 burner with side burner

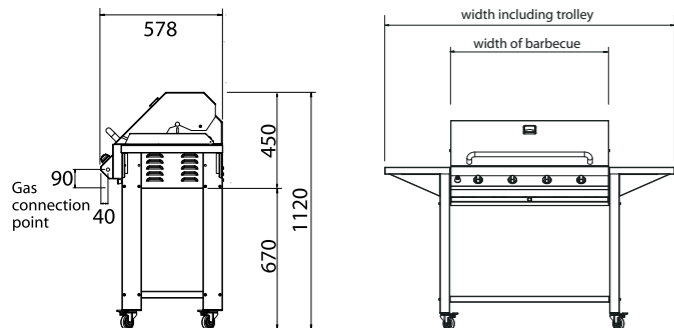


Seaview 4 burner without side burner



Seaview 5 burner with side burner

Dimensions of International & Seaview Mobile Barbeques



	Width of Barbeque	Width Including Trolley
2 burner	534 mm	1311 mm
3 burner	690 mm	1469 mm
4 burner	851 mm	1629 mm
5 burner	1009 mm	1788 mm

Laser Engraved Control Panel

While other control panels peel off or wear down with frequent cleaning, the Lifestyle control panel is laser engraved to last for the life of the barbeque.



5 Piece Flare Cap Grilling System

Lifestyle barbeques have heat reflectors underneath every burner to absorb and re-radiate heat up to the cooking surface. A separate burner protector covers each of the burners and deflects falling food acids and oils to maximise burner life.

Two perforated FlareCaps sit between the grill and the flame to minimise flare ups and redistribute the hot air flow effectively.

And all the while, falling juices are vapourising on the stainless steel FlareCap surfaces, rising to infuse the food above with smoky grilling flavours.



* Note: the Flare Cap set is only required under the grill. It is not needed under the plate.

More Heat, Less Gas

The unique vented chassis design of the Lifestyle barbeque allows it to heat up more thoroughly even under windy conditions, and maintain safe, controllable cooking temperatures with less gas usage than other designs. It saves money and time on cylinder refills, and allows you to easily govern your grill, plate and oven temperature for consistently good results.

