

# The Built In Range

## The Style You Choose

Lifestyle barbeques fit into a wide range of built in situations, from traditional backyard brick recesses to custom built outdoor entertaining areas.

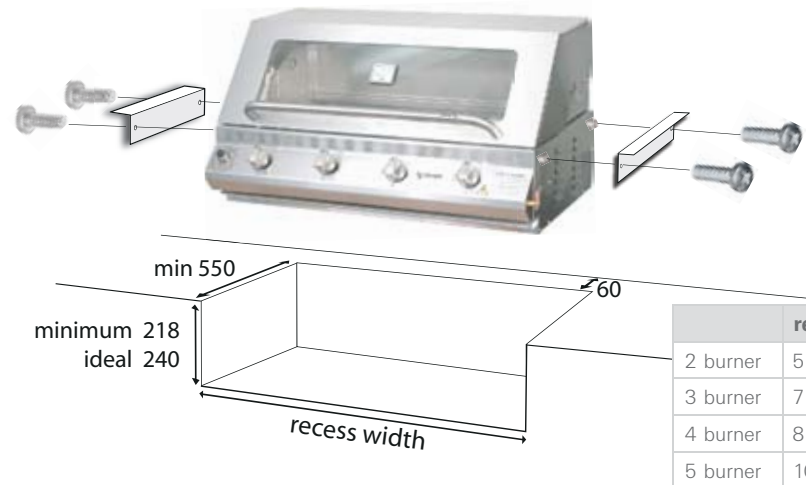
Just measure your available area and give us a call for a quote on the Barbeque thats right for you.

## ...And So Easy To Install



### Recess Brackets

We can supply two different sized brackets - one with 30mm arms for purpose built recesses, and a kit with 100mm arms to allow the barbeque to sit in almost any existing recess with a minimum of alteration.

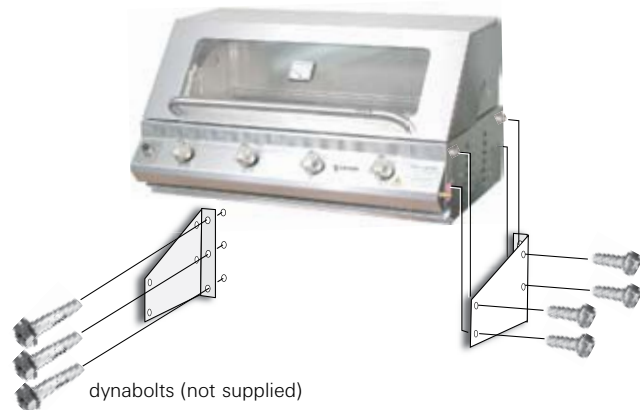


When planning your built in area, ensure there is a 60mm clearance behind the barbeque to allow the hood to open. You should also allow for the front panel to extend 100mm in front of the benchtop. Useful tip: buy the barbeque before cutting stone benchtops.



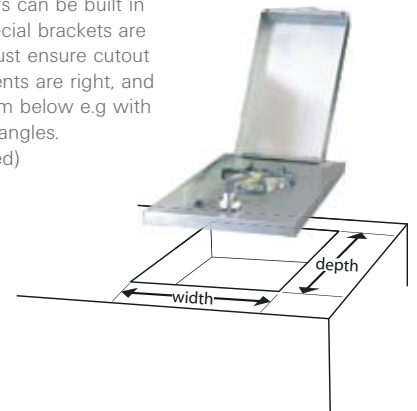
### Wall Mount Kit

The Lifestyle barbeque can be mounted to a brick wall using the Lifestyle Wall mount kit. With 3 dynabolts and 8 x 30mm stainless steel bolts and spacers per bracket, the kit will ensure this barbeque holds fast.



### Side Burners

Side burners can be built in too. No special brackets are required - just ensure cutout measurements are right, and support from below e.g with aluminium angles. (not supplied)



	width	depth
flush mounting	384 mm	490 mm